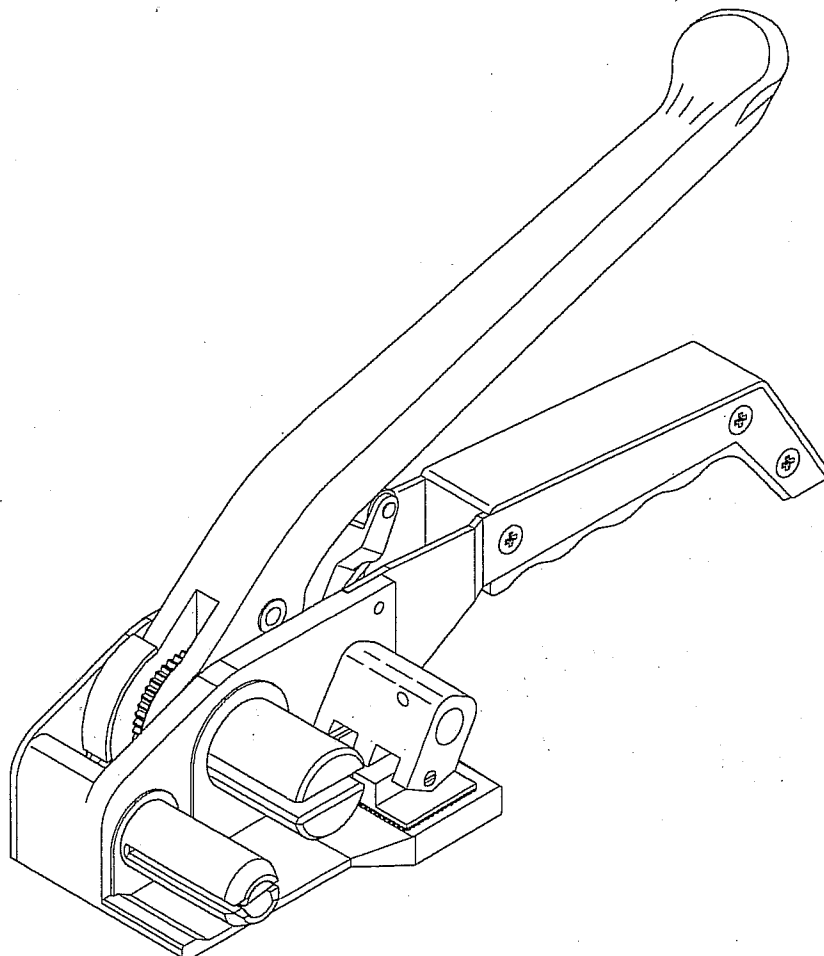


H-26 (For POLYESTER CORD STRAP SIZE TO 40MM)

OPERATION INSTRUCTIONS

&

SPARE PARTS LIST



SAFETY INSTRUCTIONS

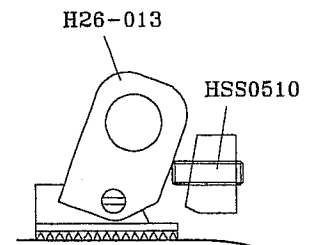
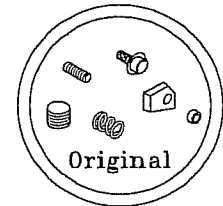
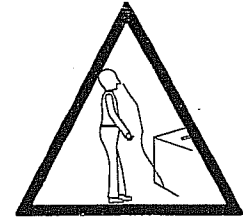
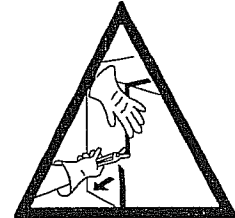
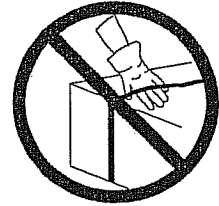
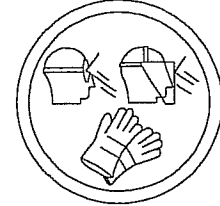
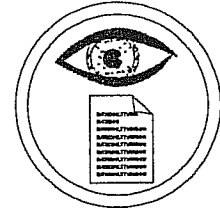
1. THIS TOOL WAS DESIGNED AND MANUFACTURED FOR SAFE HANDLING DURING THE STRAPPING OPERATION. FOR EFFECTIVE SERVICE, PLEASE READ AND FOLLOW ALL SAFETY, MAINTENANCE AND OPERATING INSTRUCTIONS.
2. ALWAYS WEAR EYE, FACE, AND HAND PROTECTION WHEN OPERATING THIS TOOL.
3. DO NOT PUT HANDS OR OTHER PARTS OF THE BODY BETWEEN THE STRAP AND THE PACKAGE.
4. WHEN CUTTING THE STRAP, HOLD THE UPPER PORTION AND STAND AT A SAFE DISTANCE AWAY FROM THE STRAP. EXERT CAUTION, AS THE LOWER STRAP WILL SNAP FORWARD.
5. DO NOT STAND IN LINE WITH THE STRAP WHILE IT IS BEING TENSIONED. THE STRAP COULD BREAK IF OVER TENSIONED.
6. USE ONLY ORIGINAL REPLACEMENT PARTS.

ADJUSTMENTS

BEFORE USING YOUR NEW H-26 TOOL, PLEASE ADJUST FOR THE CORRECT THICKNESS OF STRAPPING. NOTE THAT DAMAGE COULD RESULT TO THE TOOL IF THIS INSTRUCTION IS NOT FOLLOWED.

PLACE A SAMPLE OF YOUR STRAPPING IN THE TOOL AND TENSION AROUND AN OBJECT UNTIL THE STRAP IS AT THE DESIRED TENSION LEVEL. THEN TIGHTEN HSS0510 SET SCREW UNTIL IT LIGHTLY CONTACTS THE H26-013 CLAMP ARM. REMOVE THE TOOL BY COMPLETELY PUSHING DOWN ON THE HANDLE AND WITHDRAWING TO THE RIGHT. THE TOOL IS NOW READY TO USE.

IF ANOTHER THICKNESS OF STRAP IS SUBSTITUTED, THE ABOVE ADJUSTMENTS SHOULD BE REPEATED.



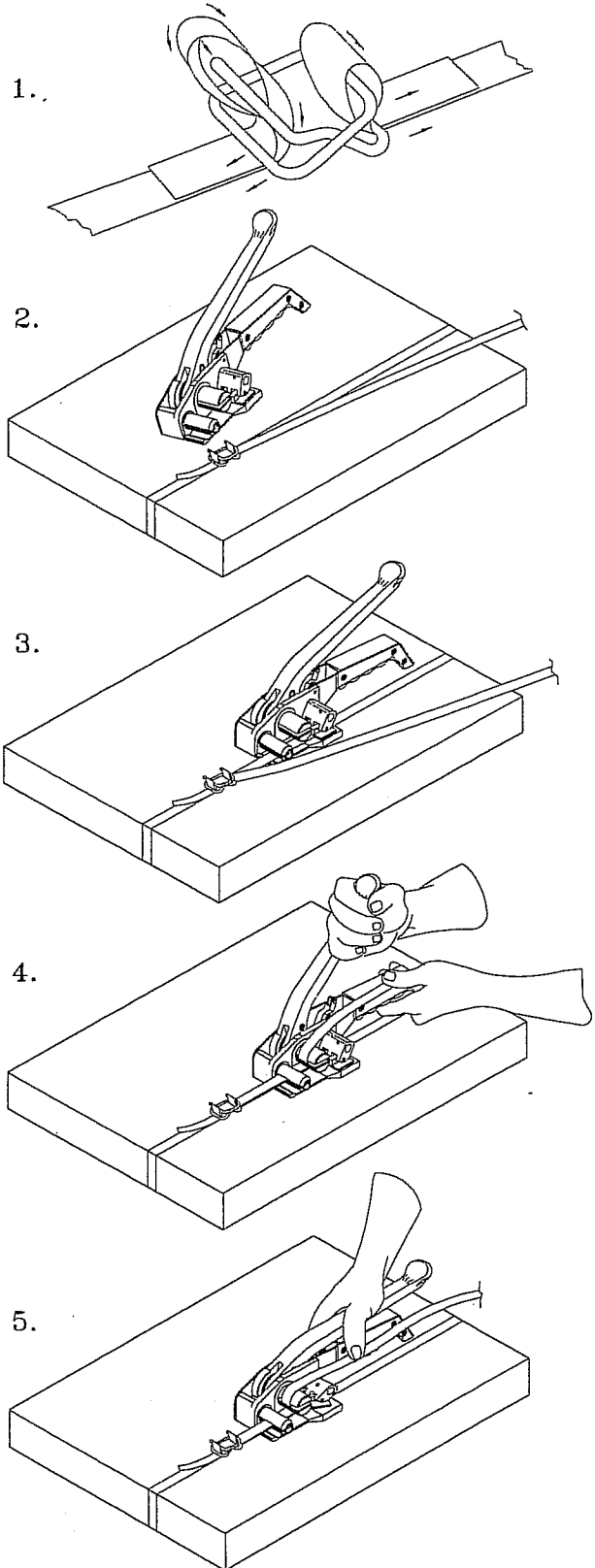
OPERATION INSTRUCTIONS

1./ 2. Put strap around the package. Insert strap into the buckle and tighten strap by hand.

3. Take the tensioner by the right hand and depress tension lever. Place strap under the gripper so that it touches the housing with the right hand edge. Release tension lever.

4. Insert the upper strap into the slot of the cutter mechanism and the windlass. Hold the tool and strap with your left hand and move the tension lever forth and back until the strap is tensioned.

5. Depress the tension lever from the tensioner completely until the strap is cut. Pivot the tensioner away from the strap.



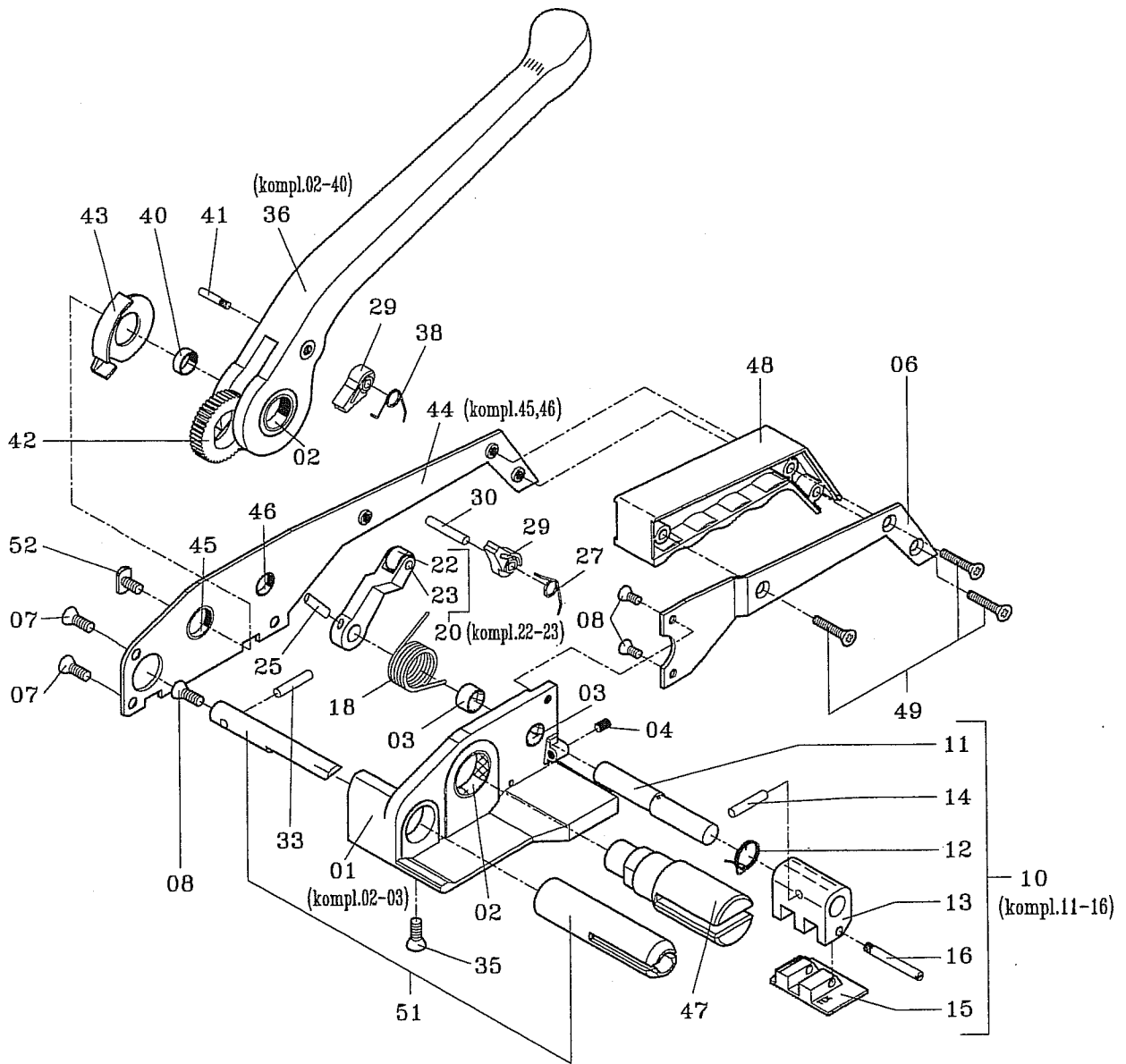
MAINTENANCE INSTRUCTIONS

- PERIODICALLY LUBRICATE ALL MOVING PARTS WITH ONE OR TWO DROPS OF LIGHT MACHINE OIL.
- CLEAN CLAMP OF ANY DIRT OR STRAP RESIDUE DAILY.

PARTS LIST

H-26

(For Polyester Cord Strap Size to 40mm)



REF. NO.	PART NO.	DESCRIPTION	Q'TY	REF. NO.	PART NO.	DESCRIPTION	Q'TY
REF. NO.	ART. NO.	ARTICLE	NOMBRE	REF. NO.	ART. NO.	ARTICLE	NOMBRE
NO. POS.	NO. BE ARTICULO	DEFINICION	NOMBRE	NO. POS.	NO. BE ARTICULO	DEFINICION	NOMBRE
1	H26-001	Housing Compl. Bati Compl.	1	22	H21-022	Roller Rouleau	1
2	MB2508	Gehäuse Kompl. Metal Bush, 2508	2	23	H21-025	Rolle Rivet	1
3	MB1206	Palier Lager Metal Bush, 1206	2	25	SP0420	Rivet Niete Spring Pin, 4x20	1
4	HSS0510	Palier Lager HSS, M5x10	1	27	H26-027	Goupille Elastique Spiral-Spannstift Round Spring Bottom	1
6	H26-006	Goujon Filetee Gewindestift Handle Plate	1	29	H26-029	Ressort Lame En Base Blattfeder Unten Clamp Pawl	2
7	FMS0510S	Plaques A Poignee Griffplatte FMS, M5x10 (SUS)	3	30	H26-030	Cliquet Klinke Cylindric Pin	1
8	FMS0508S	Vis Noyee Senkschraube FMS, M5x8 (SUS)	3	33	H26-033	Goujon Cylindrique Zylinderstift Activating Pin	1
10	H26-010 (PP/RC)	Vis Noyee Senkschraube Clamp Compl.	1	35	FMS0515S	Tige De Manoeuvre Betätigungsstift FMS, M5x15 (SUS)	1
11	H26-011	Cliquet Compl. Klinke Kompl. Eccentric Shaft	1	36	H26-036	Vis Noyee Senkschraube Lever Compl.	1
12	H26-012	Arbre Excentrique Exzenterachse Resetting Spring	1	38	H26-038	Levier Compl. Hebel Kompl. Round Spring Top	1
13	H26-013	Ressort A Torsion Ruckstellfeder Clamp Arm	1	40	MB1810	Ressort Lame En Haut Blattfeder Oben Metal Bush, 1810	1
14	SP0416	Bras De Cliquet Klinkenarm Spring Pin, 4x16	1	41	H26-041	Palier De Arriere Lager Hinten Shank Screw	1
15	H26-015 (PP/RC)	Goupille Elastique Spiralstift Clamp Plate	1	42	H26-042	Vis Sans Tete Schaftschraube Ratchet Wheel	1
16	H26-016	Pied De Cliquet Klinkenfuss Bolt Screw	1	43	H26-043	Roue A Cliquet Klinkenrad Knife Actuator	1
18	H26-018	Vis Sans Tete Schaftschraube Spring For Clamp	1	44	H26-044	Manoeuvre Du Couteau Messer Betätigung Rear Plate Compl.	1
20	H26-020	Ressort De Cliquet Feder Zu Klinke Rocker Compl.	1	45	MB1804	Plaques Arriere Compl. Ruckplatte Kompl. Metal Bush, 1804	1
		Bascule Compl. Wippe Kompl.				Palier Lager	

REF. NO.	PART NO.	DESCRIPTION	Q'TY	REF. NO.	PART NO.	DESCRIPTION	Q'TY
REF. NO.	ART. NO.	ARTICLE	NOMBRE	REF. NO.	ART. NO.	ARTICLE	NOMBRE
NO. POS.	NO. BE ARTICULO	DEFINICION	NOMBRE	NO. POS.	NO. BE ARTICULO	DEFINICION	NOMBRE
46	MB1204	Metal Bush, 1204 Palier Lager	1				
47	H26-047	Windlass Arbre De Serrage Anzugswelle	1				
48	H26-048	Handle Poignee Griff	1				
49	FMS0530S	FMS, M5x30 (SUS) Vis Noyee Senkschraube	3				
51	H26-051	Knife Compl. Couteuau Compl. Messer Kompl.	1				
52	H26-052	Holding Screw Vis D'arretage Halteschraube	1				