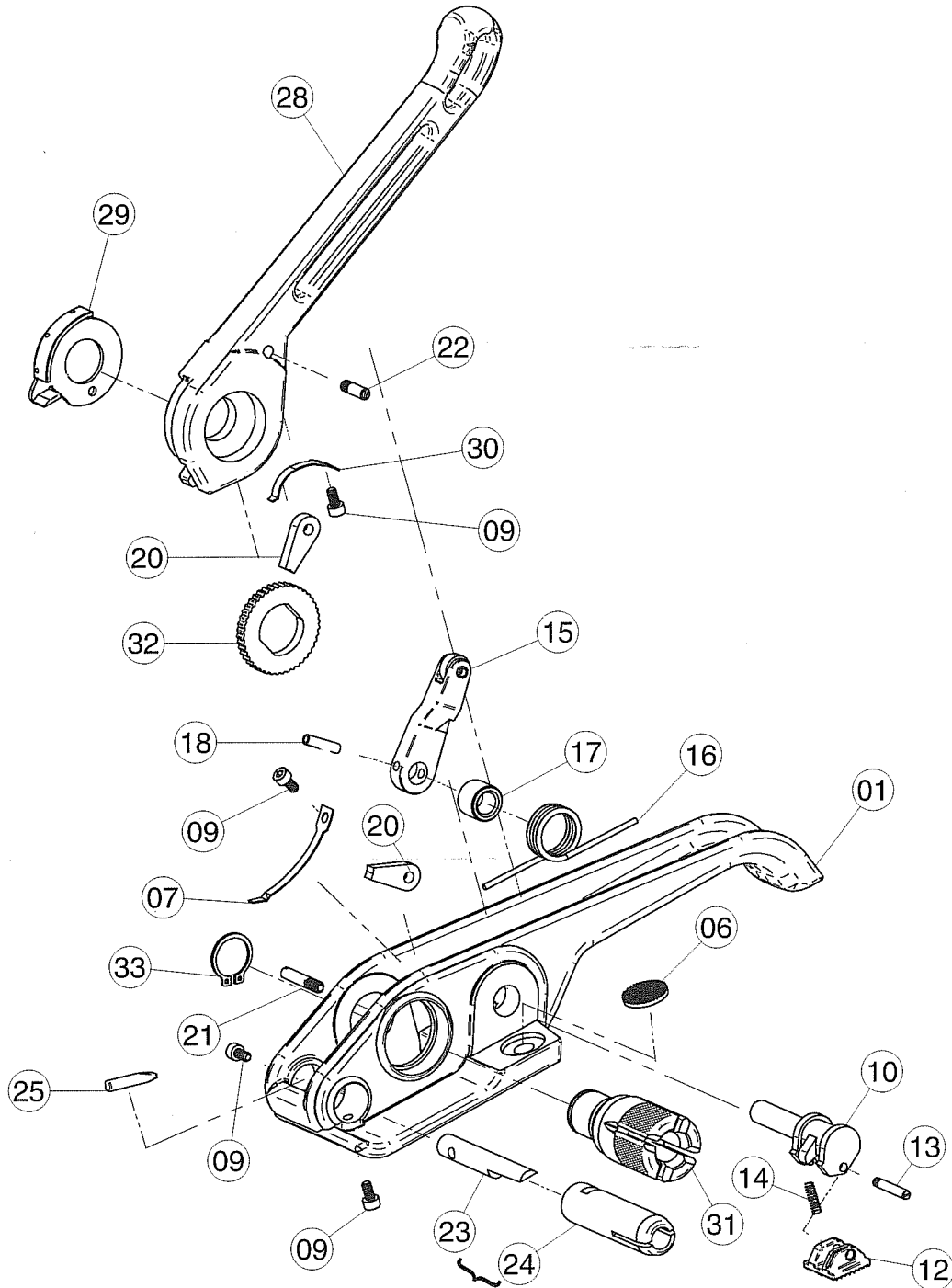


WINDLASS TENSIONER

YYP117-02

PST-HD



Part No.	Part Name	Qty/Tool	Part No.	Part Name	Qty/Tool
01	Base	1	20	Toggle	2
06	Base plug	1	21	Base Shaft	1
07	Base Toggle Spring	1	22	Handle Shaft	1
09	Screw	4	23	Cutter Blade	1
10	Leg	1		24	
12	Gripper Plate	1	25	Blade Lever	1
13	Gripper Screw	1	28	Handle	1
14	Foot Spring	1	29	Nose Hook	1
15	Lever Release Assembly	1	30	Handle Spring	1
16	Main Spring	1	31	Windlass	1
17	Main Spring Bushing	1	32	Ratchet Wheel	1
18	Spring Pin	1	33	Clip Ring	1

Keep tool well oiled and clean. Please order parts by number and name.